



## ERi/LOGR - CICS Transaction Gateway Reference Guide

This document is provided for reference only. IBM's Transaction Gateway (CTG) is an optional CICS component. The CTG may or may not be active at your installation. Please consult IBM's CICS documentation for details on installation and setup.

### Why ERi/LOGR utilizes IBM CTG

ERi/LOGR version 1 leverages the IBM CICS Transaction Gateway (CTG) for access to z/OS resources such as the System Logger. The CTG provides secure, easy access from Client applications to CICS applications, using standard Internet protocols in a range of configurations. It is a robust and scalable complement to a J2EE application server.

On z/OS, CTG routes external CICS interface (EXCI) requests from the ERi/LOGR web based front-end to a CICS Transaction Server for z/OS using the IP interconnectivity (IPIC) protocol over a socket connection. ERi chose this implementation option due to its wide availability and low cost to the client. There are other options for connecting the ERi/LOGR front-end to z/OS, please contact ERi for additional information.

Communication between CICS Transaction Gateway and the Client web server application uses the following protocols:

- TCP/IP sockets
- Secure Sockets Layer (SSL)

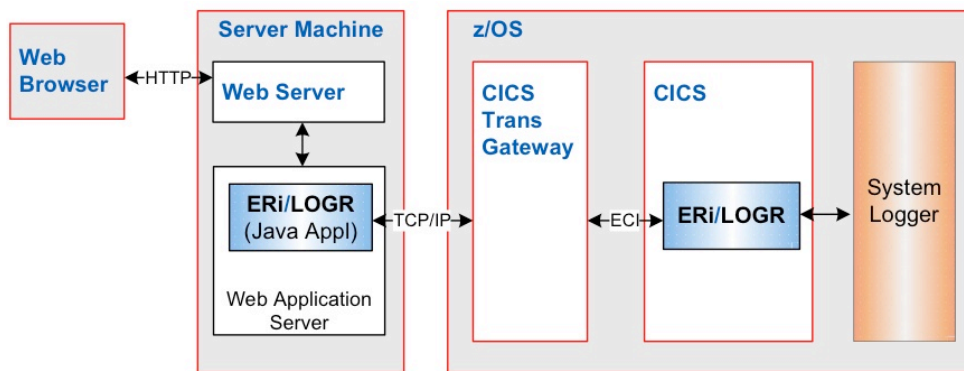
These protocols provide efficient communication for intranet applications. CICS Transaction Gateway can manage many concurrent links to connected Web browsers. The multithreaded architecture of CICS Transaction Gateway enables a single Gateway to support multiple concurrently connected users.



## How ERI/LOGR utilizes IBM CTG

ERI/LOGR includes a set of services or functions that execute as CICS transactions on z/OS. The ERI/LOGR front-end executes on any Web Application Server. For evaluation purposes, ERI provides an installation package that contains Tomcat (open source) Web Application Server and may be installed on any individual desktop or laptop with MS XP.

The following figure shows an overview of how the ERI/LOGR front-end (GUI) can access CICS based services using CTG. The GUI sends service requests via CTG that are executed as CICS transactions such as connect to and browse a System Logger log stream, or retrieve application monitor data for a given environment.



Configuration overview from ERI/LOGR front-end to backend utilizing CICS Transaction Gateway

## Installation of IBM CICS Transaction Gateway

CICS Transaction Gateway supports a number of implementation scenarios. Your installation may have already installed and configured IBM CICS Transaction Gateway and requires little to no additional setup to support ERI/LOGR. If this is true, the ERI/LOGR front-end will only require the IP address and port number for the a given CTG Listener. See installing the ERI/LOGR GUI Front-end Installation Guide for details and contact you CTG system programmer for support.

If CTG is new to your company, you may need to install the product from IBM. This process varies depending on your installation distribution agreement with IBM. Please contact your System Programmer for support. The following Internet link will take you to IBM books on installing and configuring CICS Transaction Gateway: <http://www-01.ibm.com/software/htp/cics/ctg/library/>



---

## ERi/LOGR sample code for IBM CTG

For reference, ERI provides several items in ERILOGR.SAMPLIB related to CTG. These samples assume you already have CTG installed on your system. The samples can be used for configuring a basic CTG environment with EXCI support. The ERILOGR.SAMPLIB members are:

- **ERIC TG** : Sample JCL for executing a CTG Started Task / Batch
- **DEFEXCI** : EXCI stuff ...?